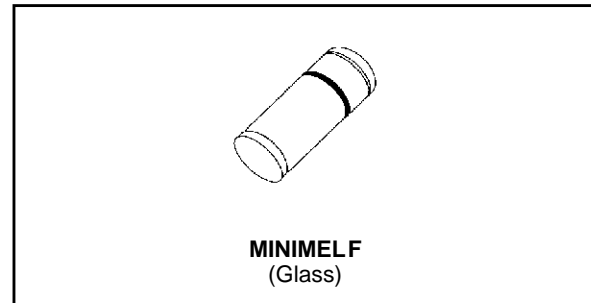


SMALL SIGNAL SCHOTTKY DIODE

DESCRIPTION

Metal to silicon junction diode primarily intended for UHF mixers and ultrafast switching applications.

ABSOLUTE MAXIMUM RATINGS (limiting values)

Symbol	Parameter		Value	Unit
V_{RRM}	Repetitive Peak Reverse Voltage		4	V
I_F	Forward Continuous Current	$T_i = 25^\circ\text{C}$	30	mA
I_{FSM}	Surge non Repetitive Forward Current	$t_p \leq 1\text{s}$	60	mA
T_{stg} T_j	Storage and Junction Temperature Range		- 65 to +150 - 65 to +125	$^\circ\text{C}$ $^\circ\text{C}$
T_L	Maximum Temperature for Soldering during 15s		260	$^\circ\text{C}$

THERMAL RESISTANCE

Symbol	Test Conditions	Value	Unit
$R_{th(j-l)}$	Junction-leads	400	$^\circ\text{C/W}$

ELECTRICAL CHARACTERISTICS
STATIC CHARACTERISTICS

Symbol	Test Conditions		Min.	Typ.	Max.	Unit
V_{BR}	$T_{amb} = 25^\circ\text{C}$	$I_R = 10\mu\text{A}$	4			V
V_F (1)	$T_{amb} = 25^\circ\text{C}$	$I_F = 10\text{mA}$			0.6	V
I_R (1)	$T_{amb} = 25^\circ\text{C}$	$V_R = 3\text{V}$			0.25	μA

DYNAMIC CHARACTERISTICS

Symbol	Test Conditions			Min.	Typ.	Max.	Unit
C	$T_{amb} = 25^\circ\text{C}$	$V_R = 1\text{V}$	$f = 1\text{MHz}$			1	pF
F (2)	$T_{amb} = 25^\circ\text{C}$	$f = 1\text{GHz}$			6		dB

(1) Pulse test: $t_p \leq 300\mu\text{s}$ $\delta < 2\%$.

(2) Noise figure test :

- diode is inserted in a tuned stripline circuit
- local oscillator frequency 1GHz
- local oscillator power 1mW
- intermediate frequency amplifier, tuned on 30MHz, has a noise figure 1.5dB

Figure 1. Forward current versus forward voltage (typical values).

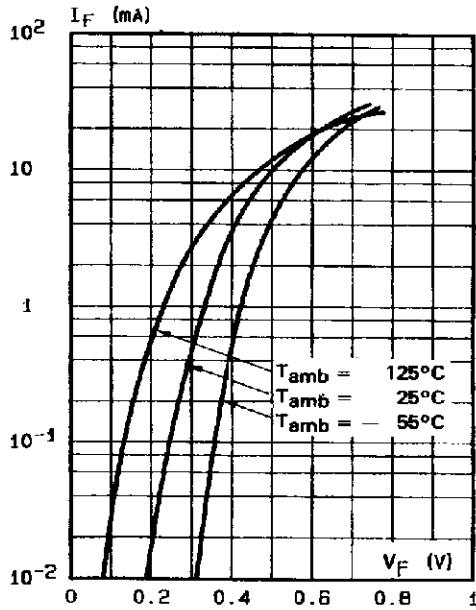


Figure 2. Capacitance C versus reverse applied voltage V_R (typical values).

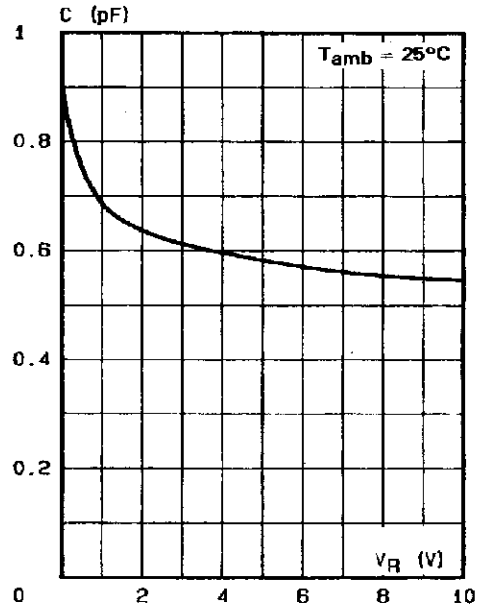


Figure 3. Reverse current versus ambient temperature.

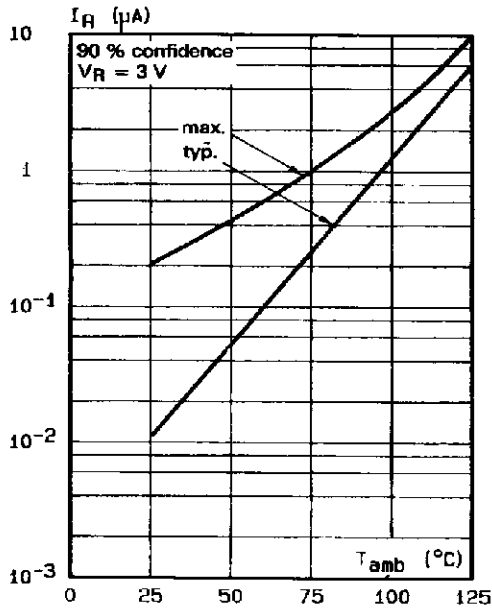
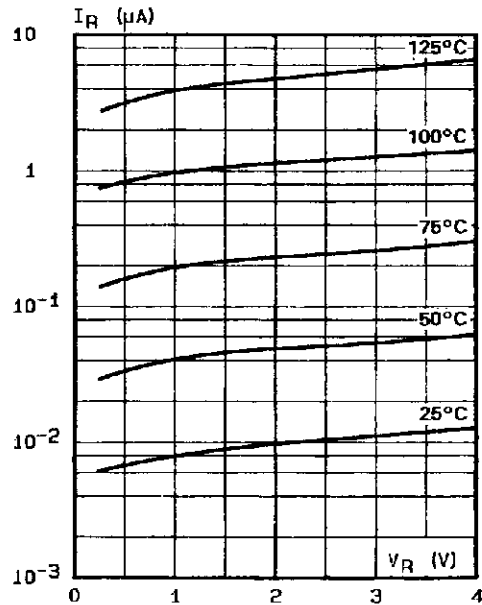


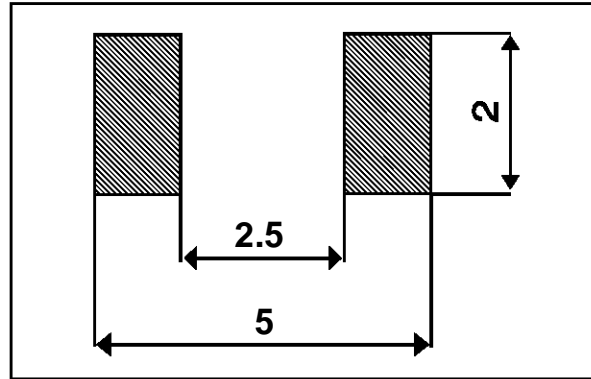
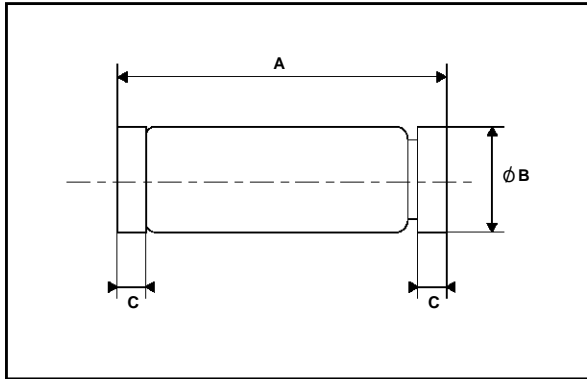
Figure 4. Reverse current versus continuous reverse voltage (typical values).



PACKAGE MECHANICAL DATA

FOOT PRINT DIMENSIONS (Millimeter)

MINIMELF Glass



REF.	DIMENSIONS			
	Millimeters		Inches	
	Min.	Max.	Min.	Max.
A	3.3	3.6	0.130	0.142
B	1.59	1.62	0.063	0.064
C	0.4	0.5	0.016	0.020

Marking: ring at cathode end.
Weight: 0.05g

Information furnished is believed to be accurate and reliable. However, SGS-THOMSON Microelectronics assumes no responsibility for the consequences of use of such information nor for any infringement of patents or other rights of third parties which may result from its use. No license is granted by implication or otherwise under any patent or patent rights of SGS-THOMSON Microelectronics. Specifications mentioned in this publication are subject to change without notice. This publication supersedes and replaces all information previously supplied. SGS-THOMSON Microelectronics products are not authorized for use as critical components in life support devices or systems without express written approval of SGS-THOMSON Microelectronics.

© 1994 SGS-THOMSON Microelectronics - Printed in Italy - All rights reserved.

SGS-THOMSON Microelectronics GROUP OF COMPANIES

Australia - Brazil - France - Germany - Hong Kong - Italy - Japan - Korea - Malaysia - Malta - Morocco - The Netherlands
Singapore - Spain - Sweden - Switzerland - Taiwan - United Kingdom - U.S.A.